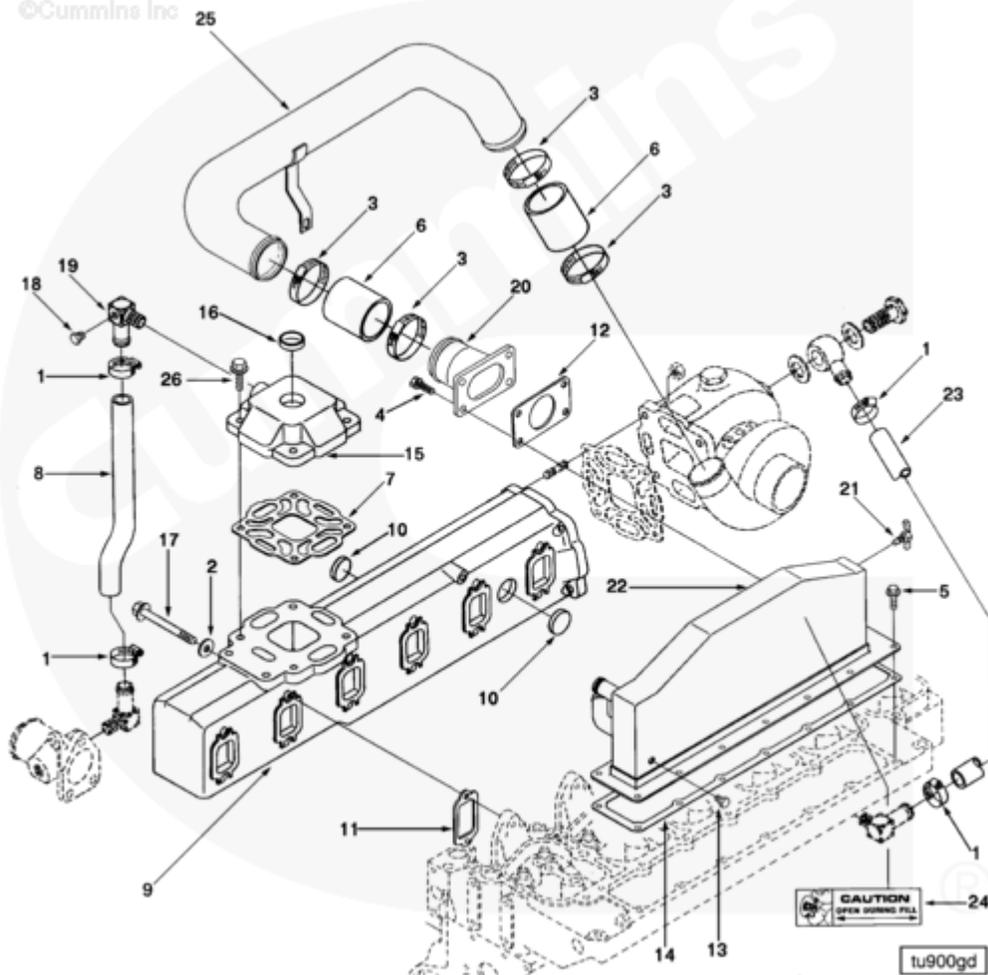




Parts Catalog - Option Detail

Electronic Parts Catalog - Option Detail				
Option	Group	Graphic	Film Card	Date
TB9087	10.06.1	tu900gd	T	19-JUN-89
Engines	4B3.9, 6A3.4, 6B5.9, B GAS INTERNATIONAL CM556, B4.5, B4.5 CM2350 B129B, B4.5 CM2350 B146C, B4.5 CM2350 B147B, B4.5 RGT, B4.5S, B5.9 G, B5.9 GAS PLUS CM556, B5.9 LPG, B5.9 LPG PLUS CM556, B6.7 CM2350 B121B, B6.7 CM2350 B135B, B6.7 CM2350 B136C, B6.7 CM2350 B148B, B6.7 G CMOH6.0 B125, B6.7N CM2380 B150B, B6.7S, F3.8 CM2350 F120B, F3.8 CM2350 F128C, F3.8 CM2350 F132B, F3.8 F102, G3.9, G5.9, G5.9 CM558, ISB (CHRYSLER), ISB CM2150, ISB CM2150 E, ISB CM550, ISB CM850, ISB/ISD4.5 CM2150 B119, ISB/ISD4.5 CM2150 SN, ISB/ISD6.7 CM2150 B120, ISB/ISD6.7 CM2150 SN, ISB/ISD6.7 CM2880 B126, ISB3.9 CM2220 B107, ISB4.5 CM2150, ISB5.9G CM2180, ISB6.7 2010 DCX PICKUP, ISB6.7 2013 DCX CHASSIS CAB, ISB6.7 CM2150 SQ, ISB6.7 CM2250, ISB6.7 CM2350 B101, ISB6.7 CM2350 B103, ISB6.7 CM2350 B142, ISB6.7 CM2670 B153B, ISB6.7 G CM2180 B118, ISBE CM2150, ISBE CM800, ISBE2/ISBE3 CM850, ISBE4 CM850, ISD4.5 CM2150, ISD6.7 CM2880 D101, ISF2.8 CM2220, ISF2.8 CM2220 AN, ISF2.8 CM2220 EC, ISF2.8 CM2220 ECF2, ISF2.8 CM2220 F101, ISF2.8 CM2220 F117, ISF2.8 CM2220 F122, ISF2.8 CM2220 F126, ISF2.8 CM2220 F129, ISF2.8 CM2220 IAN, ISF3.8 CM2220, ISF3.8 CM2220 AN, ISF3.8 CM2220 F103, ISF3.8 CM2220 F110, ISF3.8 CM2220 F116, ISF3.8 CM2220 F134B, ISF3.8 CM2220 IAN, ISF3.8 CM2350 F109, ISF4.5 CM2220 F123, ISG11 CM2880 G106, ISG11 CM2880 G108, ISG12 CM2880 G107, ISG12 CM2880 G109, ISG12 G CMOH6.0 G111, QSB3.9 30 CM550, QSB3.9 CM2880 B138, QSB4.5 30 CM550, QSB4.5 CM2150 B108, QSB4.5 CM2250 B131, QSB4.5 CM2250 EC, QSB4.5 CM2350 B106, QSB4.5 CM2350 B122			



SMALL | MEDIUM | LARGE

Cart	Ref No	Part Number	Part Description	Required	Remarks
View My Cart					
		TB9087	Turbocharger Location		Rear mount turbo location for...(More)
					6BTA5.9 marine engine with
					jacket water aftercooling.
					DEP built engines may use
					3912029 and 3914486 as varian
					content. In place of 3914616
					and 3914617. The 3279246 and
					3279250 hoses may be used to
					replace the 3916438 and
					3916437 hoses.
<input type="checkbox"/>	1	210753	Hose Clamp	4	9/16 - 1 1/4 in
<input type="checkbox"/>	2	3009330	Plain Washer	12	M10.
<input type="checkbox"/>	3	3026396	Hose Clamp	4	2 1/16 - 3 in.
<input type="checkbox"/>	4	3900631	Hexagon Flange Head Cap Screw	4	M8 X 1.25 X 25.
<input type="checkbox"/>	5	3918108	Hexagon Flange Head Cap Screw	14	M8 X 1.25 X 16
<input type="checkbox"/>	6	3904422	Plain Hose	2	
<input type="checkbox"/>	7	3905033	Turbocharger Gasket	1	
<input type="checkbox"/>	8	3905089	Plain Hose	1	
<input type="checkbox"/>		3905322	Exhaust Manifold	1	
	9	3904689	Exhaust Manifold	1	
<input type="checkbox"/>	10	3908092	Expansion Plug	4	
	11	3905443	Exhaust Manifold Gasket	6	
<input type="checkbox"/>	12	3914856	Connection Gasket	1	
<input type="checkbox"/>	13	3906619	Pipe Plug	1	1/8 NPT.
<input type="checkbox"/>	14	3907036	Intake Manifold Cover Gasket	4	
<input type="checkbox"/>		3907165	Water Transfer Connection	1	
	15	3904971	Water Transfer Connection	1	

<input type="checkbox"/>	16	3007636	Expansion Plug	1	
<input type="checkbox"/>	17	3907789	Hexagon Head Cap Screw	12	M10 x 1.50 x 1.25
		3908225	Hose Coupling	1	
<input type="checkbox"/>	18	3906619	Pipe Plug	1	1/8 NPT.
<input type="checkbox"/>	19	3908221	Elbow Hose Coupling	1	
<input type="checkbox"/>	20	3914617	Air Crossover Connection	1	
<input type="checkbox"/>	21	3909394	Draincock	1	
<input type="checkbox"/>	22	3910282	Aftercooler	1	
<input type="checkbox"/>	23	3910578	Plain Hose	1	
<input type="checkbox"/>	24	3910778	Information Decal	1	
<input type="checkbox"/>	25	3914616	Air Tube	1	
<input type="checkbox"/>	26	3903112	Hexagon Flange Head Cap Screw	4	M10 X 1.50 X 30.